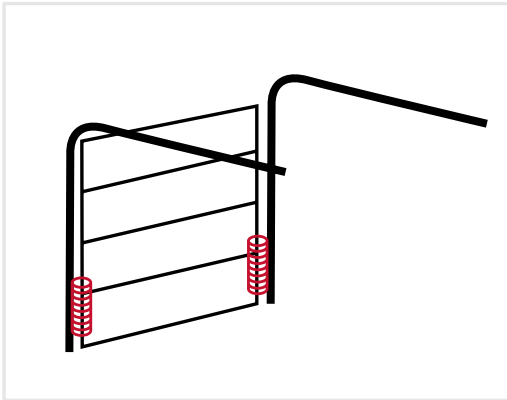
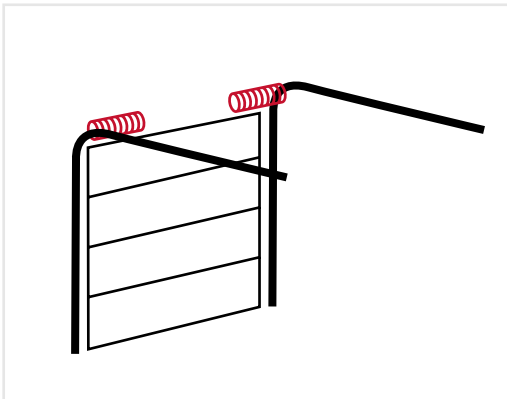


# Identify the Correct Opener Rail for Garage Doors



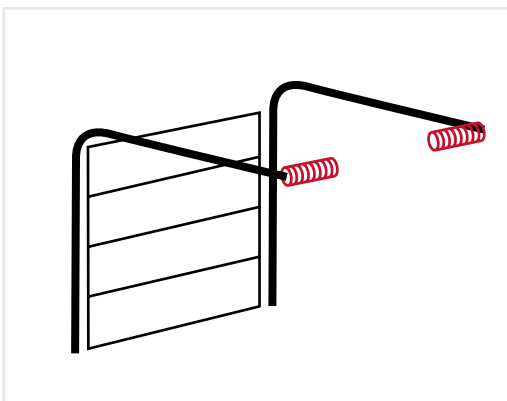
## Sectional Doors with Tension Springs (Z-fitting)

Tension spring technology; laterally mounted



## Sectional Doors with Normal Fitting (N-Fitting)

Torsion spring technology; mounted above the door leaf



## Sectional Doors with Low Lintel Fitting (L-Fitting)

Torsion spring technology; attached to the end of the running rails

| Swing door | Sectional door with tension springs | Sectional door with normal fitting | Sectional door with low lintel fitting | Rail length |
|------------|-------------------------------------|------------------------------------|--|-------------|
| 2.500 mm   | 2.125 mm                            | 2.250 mm                           | 2.125 mm                               | 3.080 mm    |
| 2.750 mm   | 2.375 mm                            | 2.500 mm                           | 2.375 mm                               | 3.330 mm    |
| 3.510 mm   | 3.135 mm                            | 3.260 mm                           | 3.135 mm                               | 4.090 mm    |